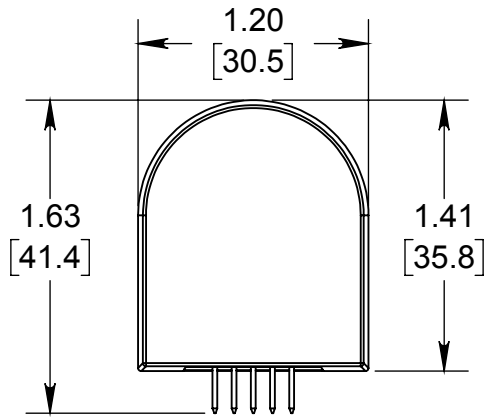
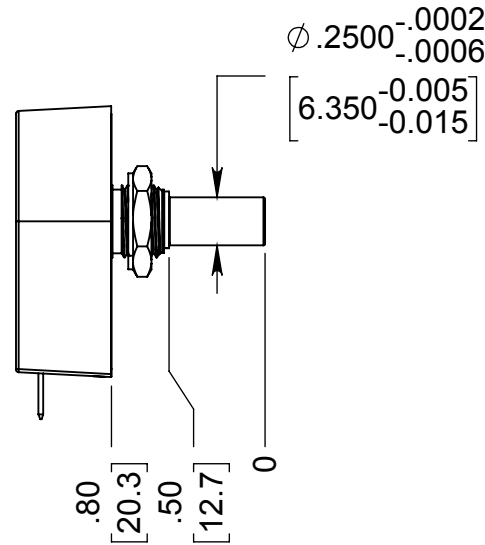


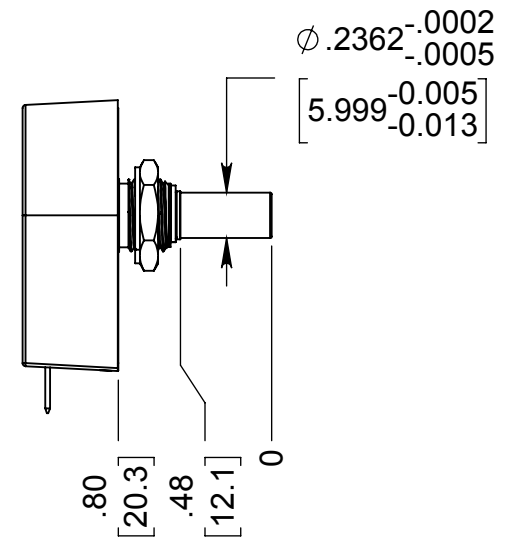
S1 Optical Shaft Encoder



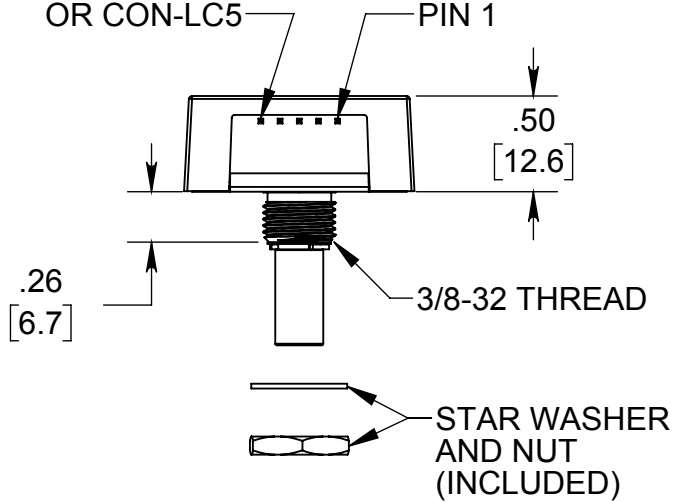
BUSHING - 1/4" SHAFT



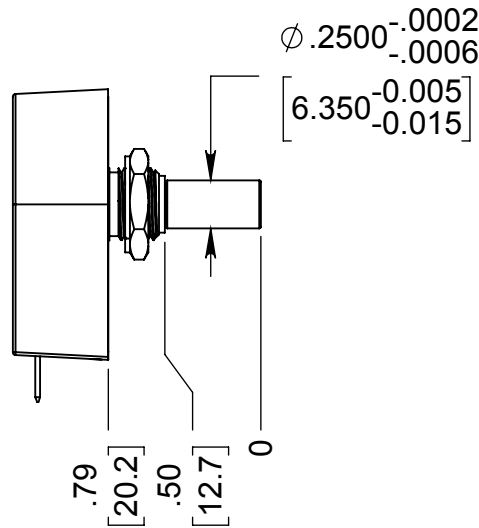
BUSHING - 6MM SHAFT



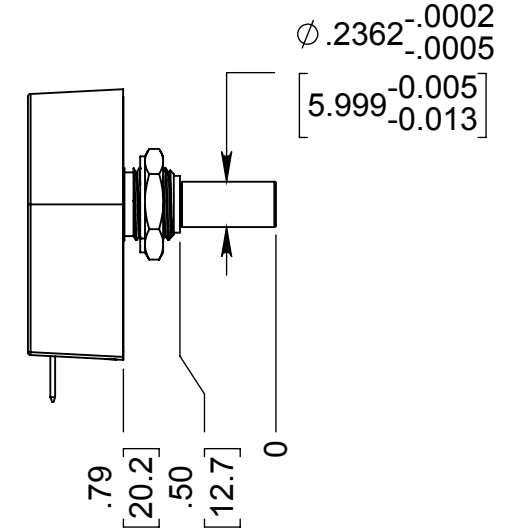
.025 SQUARE PINS
MATES TO CON-C5
OR CON-LC5



BALL BEARING - 1/4" SHAFT



BALL BEARING - 6MM SHAFT



RELEASE DATE: 7/17/2017