



The PS-24 is no longer available for purchase.

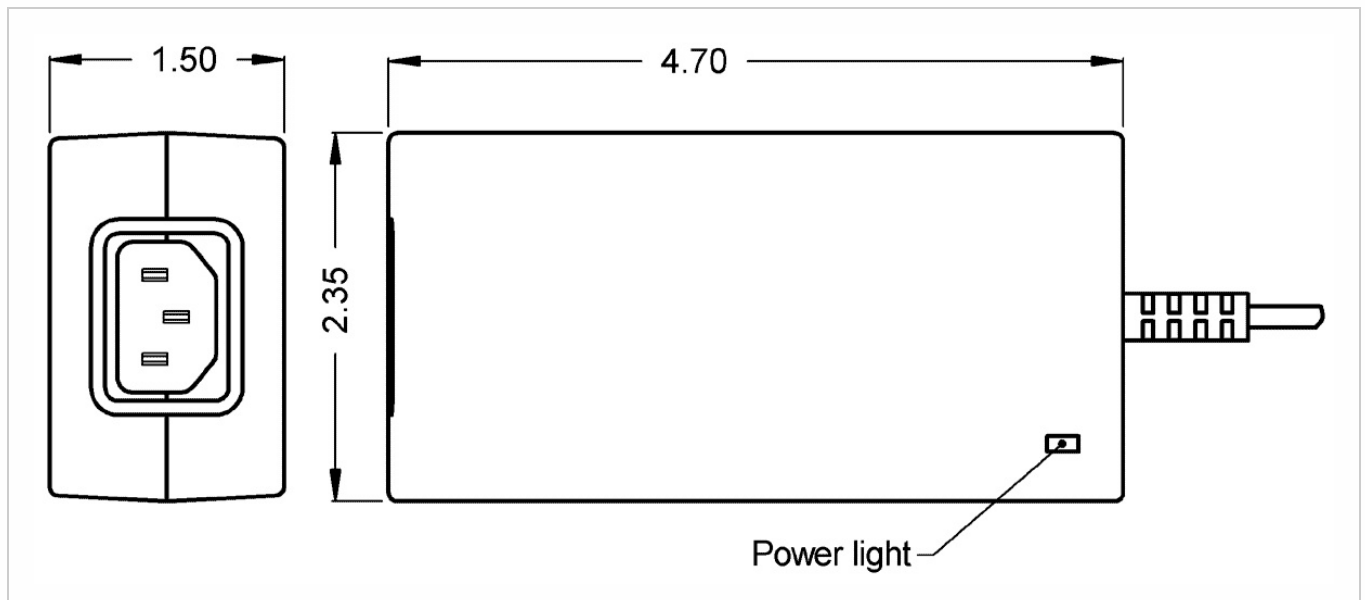
PS-24 Product Description

The PS-24 is a 60 W regulated switching power supply that outputs 24 VDC @ 2.5 A. The power supply covers voltage inputs ranging from 85 VAC to 240 VAC. Typical efficiency is 78%, and the output is short circuit protected. When an output short is present, the PS-24 will switch on every 250 mS for 10 mS. A power-on LED is provided.

The output connector is a 2.1 mm circular plug attached to a 24-inch long cable. A 6 foot long 120 VAC power cord comes standard with the PS-24.

Please note: The third conductor, earth ground, on the input power cord is connected to DC common. You must use an isolation adapter on the AC receptacle if it is desired to isolate DC output common from earth ground.

Mechanical Drawings



Specifications

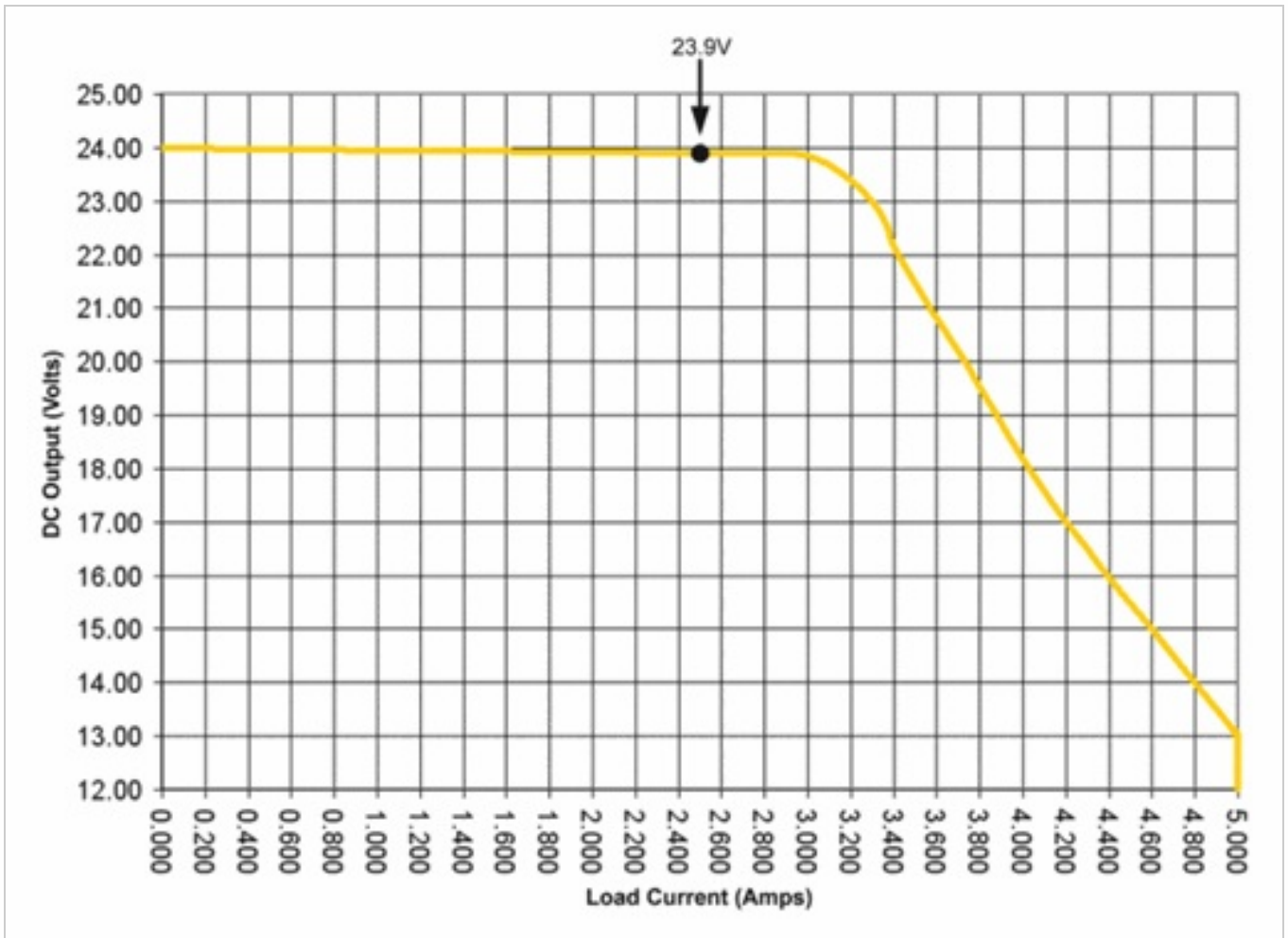


SPECIFICATIONS

Input Voltage	85 VAC to 240 VAC
Output Voltage	24 VDC \pm 5%
Input Frequency	47 Hz to 63 Hz
Ripple & Noise	\pm 200 mV maximum
Operating Temperature	0 C to 40 C
Storage Temperature	-20 C to 60 C
Protections	Over voltage, current and short circuit
Certification	UL, CSA, TUV approved, CE mark
EMI	Meets FCC class "B"
Size (inches)	1.50 x 2.36 x 4.70 (HWL)

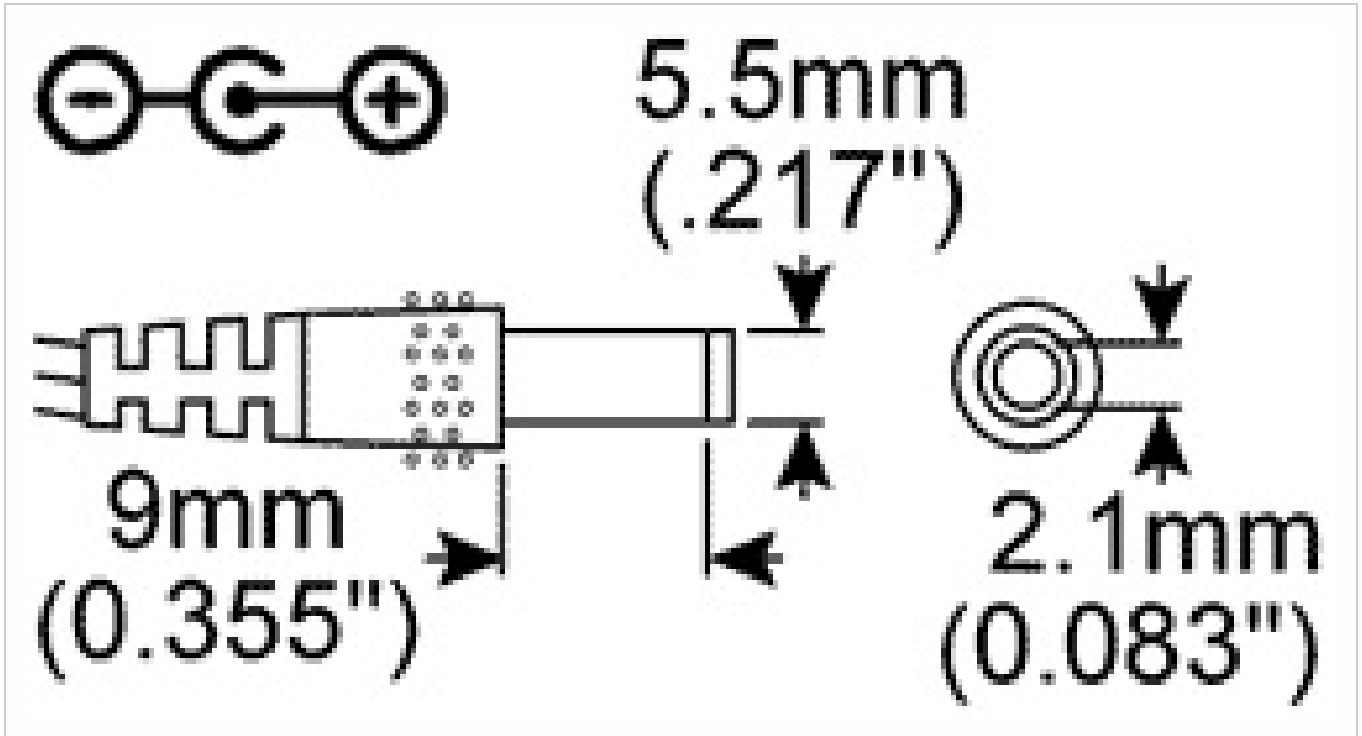


OUTPUT VOLTAGE VS. LOAD





CONNECTOR



PRODUCT CHANGE NOTIFICATIONS



PS-24 REGULATED SWITCHING 24 V (2.5 A) POWER SUPPLY

Title	Date	Description	Download
PCN 4464 - CE - RoHS	6/30/2014	<p>US Digital is aware of the increasing attention to world-wide environmental regulations, specifically with regard to the need for hazardous substance restrictions in electronic components and systems. As of July 10th, 2014 US Digital will now be CE Marking certain products inline with compliance under RoHS Directive (2011/65/EU). In order to achieve RoHS Compliance, the products will not contain more than the acceptable levels of the listed restricted substances within the RoHS 2011/65/EU directive.</p> <p>Part Numbers Affected:</p> <ul style="list-style-type: none">• ED3• USB4• QSB• SEI-USB• MD2S• PS-5, PS-12, PS-24, PS-48 (Power Supplies)• PE <p>For the part numbers listed above, US Digital cannot confirm that they meet Low-Voltage and EMC Directives and for that reason US Digital cannot support shipping those products / product families into the CE required countries (For Example countries in the EU). Those products can still be shipped to Non-CE required countries with a Statement of Material Conformance to the RoHS Directive 2011/65/EU, in place of a RoHS Compliance Declaration.</p>	<p>Download (https://www.usdigital.com/support/resources/product-change-notifications/pcn-4464-ce-rohs/)</p>

Notes

- US Digital® warrants its products against defects in materials and workmanship for two years. See complete warranty (<https://www.usdigital.com/company/warranty>) for details.