

E3 Features

- Quick, simple assembly, and disassembly
- Rugged screw-together housing
- Accepts .010 in. axial shaft play
- Small size
- 64 to 10,000 cycles per revolution (CPR)
- 256 to 40,000 pulses per revolution (PPR)
- 2 channel quadrature TTL squarewave outputs
- Optional index (3rd channel)



E3 Product Description

The E3 is a high-resolution rotary encoder with a rugged glass-filled polymer enclosure, which utilizes either a 5-pin locking or standard connector. This optical incremental encoder is designed to easily mount to and dismount from an existing shaft to provide digital feedback information.



The internal components consist of a mylar disk mounted to a precision machined aluminum hub and an encoder module. The hub is available for diameters up to 1 in. The module contains a highly collimated solid-state light source and monolithic phased array sensor, which together provide a system extremely tolerant to mechanical misalignments.

The E3 is normally designed for applications of 10 feet or less. For applications requiring longer cable lengths, we recommend adding a PC4 (<https://www.usdigital.com/pc4/>) / PC5 (<https://www.usdigital.com/pc5/>) differential line driver or check out our E6 (<https://www.usdigital.com/products/encoders/incremental/kit/e6/>) which has an optional differential output.

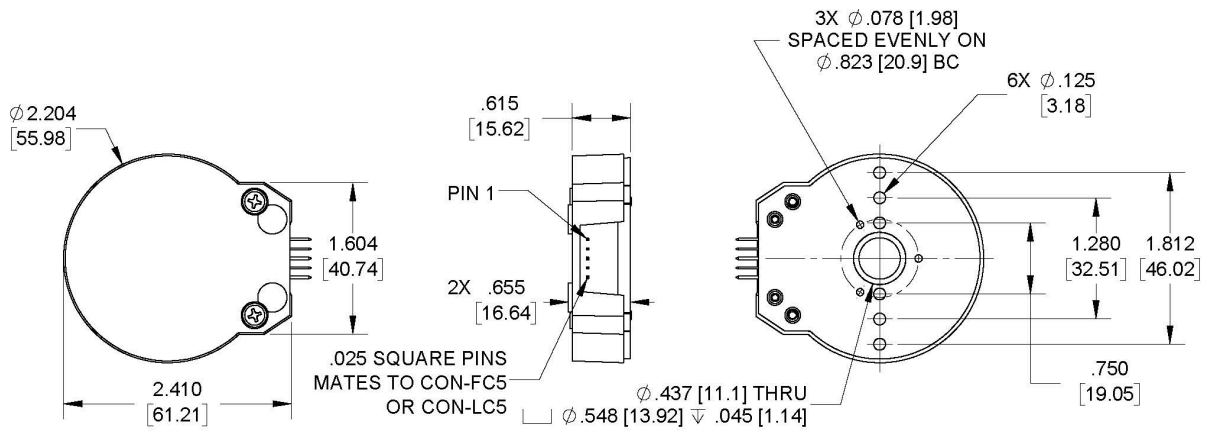
Attachment of the base to a surface may be accomplished by utilizing one of several machine screw bolt circle options. Positioning of the base to the centerline of a shaft is ensured by use of a centering tool. The cover is securely attached to the base with two 4-40 flat head screws to provide a resilient package protecting the internal components.

Connection to the E3 product is made through either a 5-pin locking or standard connector. The mating connectors are available from US Digital with several cable options and lengths.

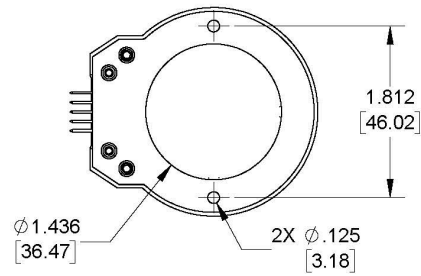
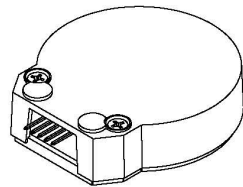
Mechanical Drawings

E3 Optical Kit Encoder (Default)

RELEASE DATE: 7/19/2019



BASE OPTION FOR SHAFTS $\leq \phi .394$ [10]



BASE OPTION FOR SHAFTS $> \phi .394$ [10]

US DIGITAL 1400 NE 136th Avenue
Vancouver, Washington 98684, USA

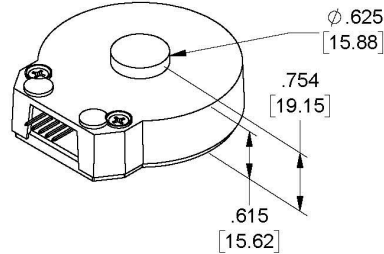
info@usdigital.com
www.usdigital.com

Local: 360.260.2468
Toll-free: 800.736.0194

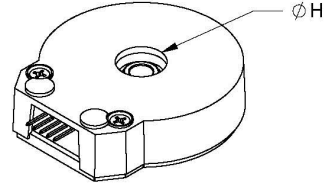
UNITS: INCHES [MM]
METRIC SHOWN FOR REFERENCE ONLY

E3 Optical Kit Encoder (Base & Cover Options)

E-OPTION COVER
(EXTENSION FOR SHAFT LENGTHS UP TO .670 [17.02])

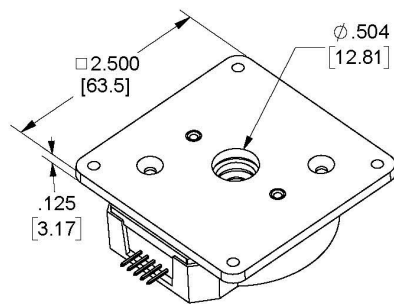


H-OPTION COVER (HOLE FOR SHAFT LENGTHS OVER .670 [17.02])

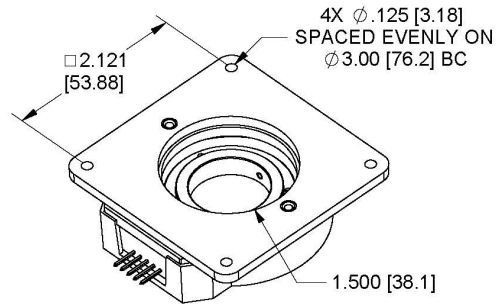


H = .550 [13.97] FOR SHAFT SIZES \leq ϕ .500 [12.7]
H = 1.050 [26.67] FOR SHAFT SIZES $>$ ϕ .500 [12.7]

M-OPTION BASE (MOUNTING PLATE)



FOR SHAFTS \leq ϕ .394 [10]



FOR SHAFTS $>$ ϕ .394 [10]

REQUIRES AN ADDITIONAL .125 [3.18] SHAFT LENGTH

US DIGITAL 1400 NE 136th Avenue
Vancouver, Washington 98684, USA

info@usdigital.com
www.usdigital.com

Local: 360.260.2468
Toll-free: 800.736.0194

UNITS: INCHES [MM]
METRIC SHOWN FOR REFERENCE ONLY

Specifications

ENVIRONMENTAL

PARAMETER	VALUE	UNITS
Operating Temperature, CPR < 2000	-40 to 100	C
Operating Temperature, CPR \geq 2000	-25 to 100	C
Electrostatic Discharge, IEC 61000-4-2	\pm 4	kV
Vibration (10Hz to 2kHz, sinusoidal)	20	G
Shock (6 milliseconds, half-sine)	75	G

MECHANICAL

PARAMETER	VALUE	UNITS
-----------	-------	-------

PARAMETER	VALUE	UNITS
Max. Shaft Axial Play	±0.010	in.
Max. Shaft Runout	0.004 T.I.R.	in.
Max. Acceleration	250000	rad/sec ²
For CPR ≤ 2500: Max. RPM (1) Max. A/B Frequency e.x. CPR=2500, Max. RPM=7200 e.x. CPR=100, Max. RPM=60000	minimum value of ((18 x 10 ⁶) / CPR) and (60000) 300	RPM kHz
For CPR = 3600, 4000, 4096, 5000: Max. RPM (1) Max. A/B Frequency	(21.6 x 10 ⁶) / CPR 360	RPM kHz
For CPR = 7200, 8000, 8192, 10000: Max. RPM (1) Max. A/B Frequency	(43.2 x 10 ⁶) / CPR 720	RPM kHz
Typical Product Weight	1.28	oz.
Codewheel Moment of Inertia	8.9 x 10 ⁻⁵ for bore < 12mm 4.0 x 10 ⁻⁴ for bore ≥ 12 mm	oz-in-s ²
Hub Set Screw	#3-48 or #4-48	
Hex Wrench Size	0.050	in.
Encoder Base Plate Thickness	0.135	in.
3 Mounting Screw Size	#0-80	
3 Screw Bolt Circle Diameter (2)	0.823 ± 0.005	in.
2 Mounting Screw Size	#2-56 or #4-40	
2 Screw Bolt Circle Diameter	0.750 ± 0.005	in.
2 Screw Bolt Circle Diameter	1.280 ± 0.005	in.
2 Screw Bolt Circle Diameter	1.812 ± 0.005	in.

PARAMETER	VALUE	UNITS
Required Shaft Length	0.445 to 0.525	in.
(3)	0.445 to 0.670	in.
With E-option (2)	> 0.445	in.
With H-option		
Index alignment to hub set screw	180 ± Typical	degrees
Technical Bulletin TB1001 - Shaft and Bore Tolerances	Download (https://www.usdigital.com/support/resources/reference/technical-docs/technical-bulletins/shaft-and-bore-tolerances-tb1001/)	

(1) 60000 RPM is the maximum rpm due to mechanical considerations. The maximum RPM due to the module's maximum frequency response is dependent upon the module's resolution (CPR).

(2) Only for shaft diameters < 0.472".

(3) Add 0.125" to all required shaft lengths when using M-option.

TORQUE SPECIFICATIONS

PARAMETER	VALUE	TORQUE
Hub Set Screw	2-3	in-lbs
Cover Screw	2-4	in-lbs
Base Mounting Screw (#0-80)	1-2	in-lbs
Base Mounting Screw (#2-56)	2-3	in-lbs
Base Mounting Screw (#4-40)	4-6	in-lbs
Adapter Plate Mounting Surface (#2-56 screws)	2-3	in-lbs
Adapter Plate Mounting Surface (#4-40 screws)	4-6	in-lbs
Module Mounting Screw	3.5-4	in-lbs

PHASE RELATIONSHIP

A leads B for clockwise shaft rotation, and B leads A for counterclockwise rotation viewed from the cover side of the encoder.

ELECTRICAL

- Specifications apply over the entire operating temperature range.
- Typical values are specified at $V_{cc} = 5.0V_{dc}$ and $25^{\circ}C$.
- For complete details, see the EM1 (<https://www.usdigital.com/products/encoders/incremental/modules/em1/>) and EM2 (<https://www.usdigital.com/products/encoders/incremental/modules/em2/>) product pages.

PARAMETER	MIN.	TYP.	MAX.	UNITS	CONDITIONS
Supply Voltage	4.5	5.0	5.5	V	
Supply Current		27	33	mA	CPR < 1000, no load
		54	62	mA	CPR \geq 1000 and < 3600, no load
		72	85	mA	CPR \geq 3600, no load
Low-level Output			0.5	V	$I_{OL} = 8mA$ max., CPR < 3600
			0.5	mA	$I_{OL} = 5mA$ max., CPR \geq 3600
		0.05		mA	no load, CPR < 3600
		0.25		mA	no load, CPR \geq 3600
High-level Output	2.0			V	$I_{OH} = -8mA$ max., CPR < 3600
	2.0			V	$I_{OH} = -5mA$ max., CPR \geq 3600
		4.8		V	no load, CPR < 3600
		3.5		V	no load, CPR \geq 3600
Output Current Per Channel	-8		8	mA	CPR < 3600
	-5		5	mA	CPR \geq 3600
Output Rise Time		110		nS	CPR < 3600
		50		nS	CPR \geq 3600
Output Fall Time		35		nS	CPR < 3600
		50		nS	CPR \geq 3600



PIN-OUT

PIN	DESCRIPTION
1	Ground
2	Index
3	A channel
4	+5VDC power
5	B channel

Note: 5-pin single-ended mating connector is CON-C5 (<https://www.usdigital.com/products/accessories/connectors/con-c5/>) or CON-LC5 (<https://www.usdigital.com/products/accessories/connectors/con-lc5/>)

ACCESSORIES

1. Centering Tool

The centering tool is only included with the **-3** packaging option. It has to be ordered separately for other packaging options.

Part #: CTOOL - (Shaft Diameter)

Description: This reusable tool provides a simple method for accurately centering the E3 base onto the shaft in order to promote concentricity and thus, higher accuracy. It is recommended for the following situations:

- When using mounting screws smaller than #4-40.
- When the position of the mounting holes is in question.
- When using the 3-hole mounting pattern.
- When using the T-option transfer adhesive.

Instructions: When mounting encoder base, slide centering tool down shaft until it slips into centering hole of encoder base. Tighten mounting screws, then remove centering tool.

2. Hex Tool

Depending on the order packaging option, either a hex driver or hex wrench is included.

Part #: HEXD-050

Description: Hex driver, 0.050" flat-to-flat for #3-48 or #4-48 set screws. Only included with **-B** or **-1** packaging options.

Part #: HEXW-050

Description: Hex wrench, 0.050" flat-to-flat for #3-48 or #4-48 set screws. Only included with **-2** or **-3** packaging options.

3. Spacer Tool

A spacer tool is included for all packaging options.

Part #: SPACER-E3S

Description: For shafts ≤ 0.394 "

Part #: SPACER-E3L

Description: For shafts 12mm - 1"

4. Screws

Part #: SCREW-080-250-PH

Description: Pan Head, Philips #0-80 UNF x 1/4"

Use: Base Mounting

Quantity Required: 3
Screws are not included

Part #: SCREW-256-250-PH

Description: Pan Head, Phillips #2-56 UNC x 1/4"
Use: Base Mounting
Quantity Required: 2
Screws are not included

Part #: SCREW-348-125-SS

Description: Socket Head Set Screw, 3-48 UNC x 1/8"
Use: Hub/Disk Mounting for 12mm - 1" Bore
Quantity Required: 2
Screws are included

Part #: SCREW-440-250-PH

Description: Pan Head, Phillips #4-40 UNC x 1/4"
Use: Base Mounting
Quantity Required: 2
Screws are not included

Part #: SCREW-440-500-PH

Description: Pan Head, Phillips #4-40 UNC x 1/2"
Use: Module Mounting
Quantity Required: 2
Screws are included

Part #: SCREW-440-625-FH

Description: Flat Head, Phillips 4-40 UNC x 5/8"
Use: Cover Mounting
Quantity Required: 2
Screws are included

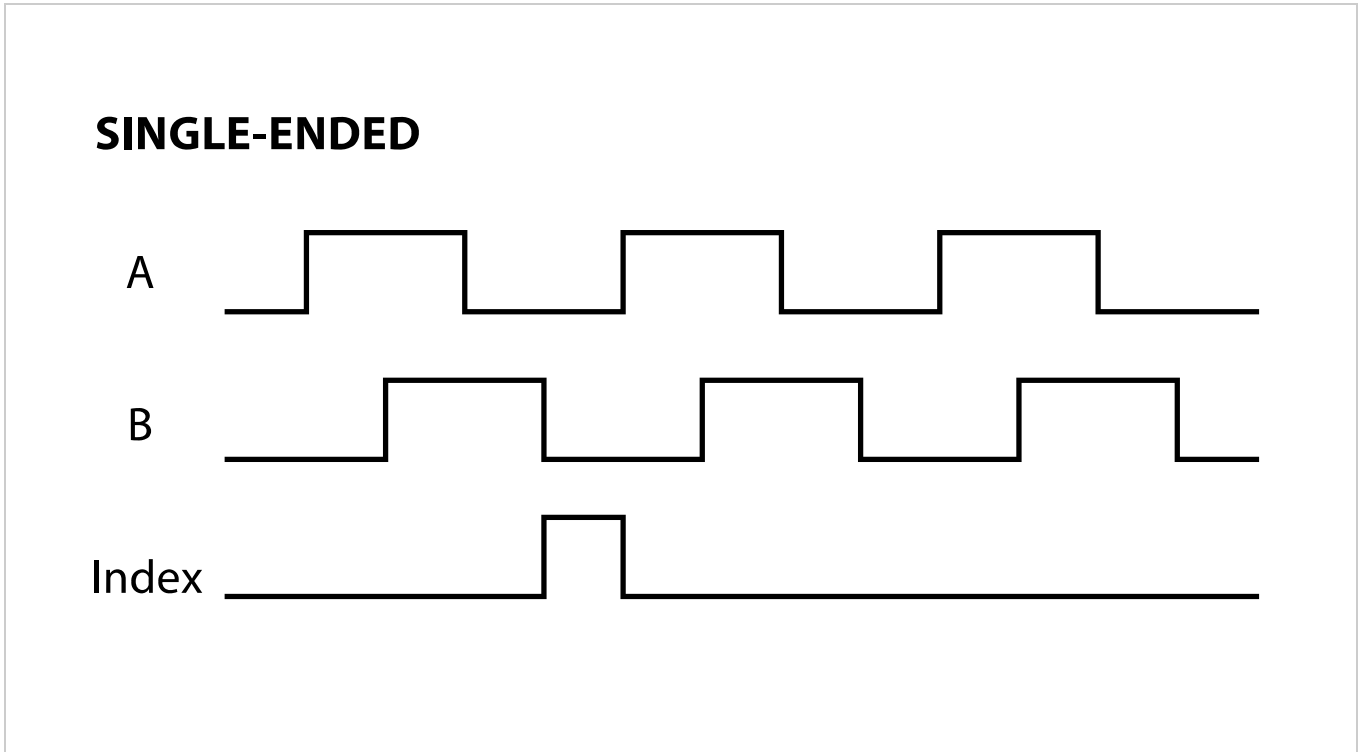
Part #: SCREW-448-063-SS

Description: Socket Head Set Screw, 4-48 UNC x 1/16"
Use: Hub/Disk Mounting for 5/16" - 10mm Bore
Quantity Required: 1
Screw is included

Part #: SCREW-448-125-SS

Description: Socket Head Set Screw, 4-48 UNC x 1/8"
Use: Hub/Disk Mounting for 2mm - 1/4" Bore
Quantity Required: 1
Screw is included

OUTPUT WAVEFORMS



Notes

- US Digital® warrants its products against defects in materials and workmanship for two years. See complete warranty (<https://www.usdigital.com/company/warranty>) for details.
- Cables and connectors are not included and must be ordered separately.

Configuration Options

E3	CPR (Cycles Per Revolution)	Bore Size	Index	Cover	Base	Packaging
		079 (2.0mm)	IE (Index)	D (Default)	D (Default)	<p>B (Encoders packaged in bulk. Every order includes one hex tool and spacer tool. An additional set of tools is included for each 100 encoders ordered.)</p> <p>1 (Encoders packaged individually. Every order includes one hex tool and spacer tool. An additional set of tools is included for each 100 encoders ordered.)</p> <p>2 (Encoders packaged individually. Every order includes one hex tool and spacer tool per encoder.)</p> <p>3 (Encoders packaged individually. Every order includes one centering tool, hex tool and spacer tool per encoder.)</p>
	64	118 (3.0mm)	NE (Non-Index)	E (Extended)	M (3" Diameter Bolt Circle)	
	100	125 (1/8")		H (Through-Hole)		
	200	156 (5/32")				
	400	157 (4.0mm)				
	400	188 (3/16")				
	500	197 (5.0mm)				
	512	236 (6.0mm)				
	1000	250 (1/4")				
	1024	313 (5/16")				
	1800	315 (8.0mm)				
	2000	375 (3/8")				
	2048	394 (10.0mm)				
	2500	472 (12.0mm)				
	3600	500 (1/2")				
	4000	551 (14.0mm)				
	4096	625 (5/8" Bore)				
	5000	750 (3/4" Bore)				
	7200	787 (20.0mm)				
	8000	875 (7/8")				
	8192	984 (25.0mm)				
	10000	1000 (1")				

PLEASE NOTE: This chart is for informational use only. Certain product configuration combinations are not available. Visit the E3 product page (<https://www.usdigital.com/products/E3>) for pricing and additional information.