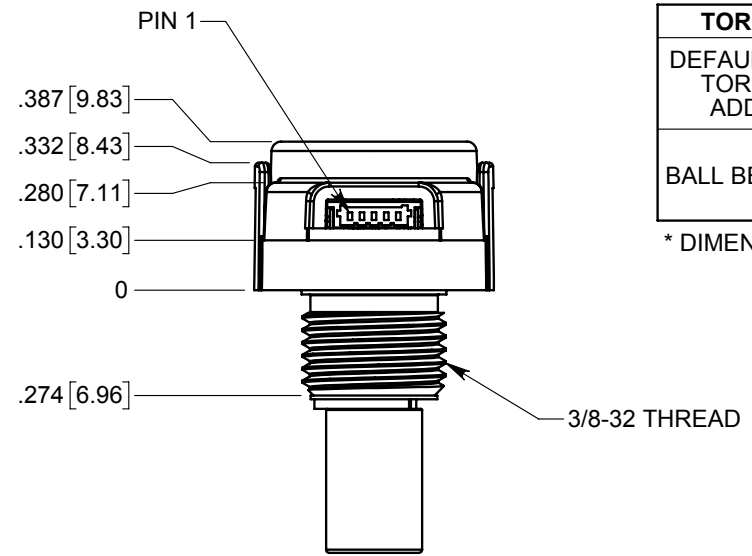
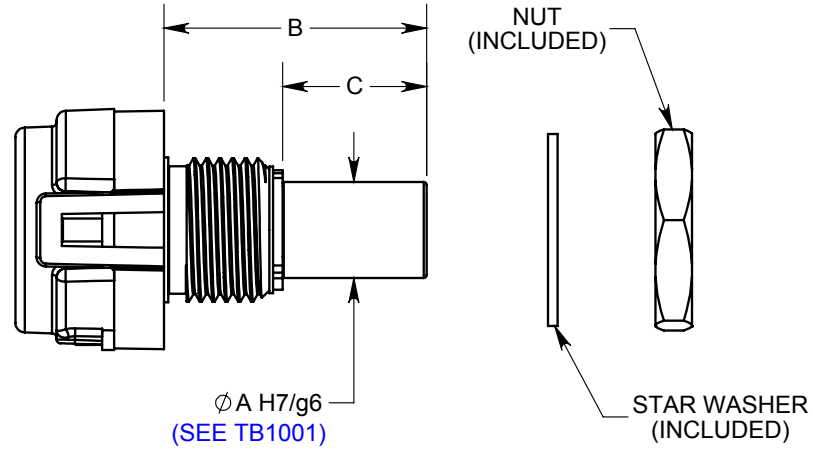
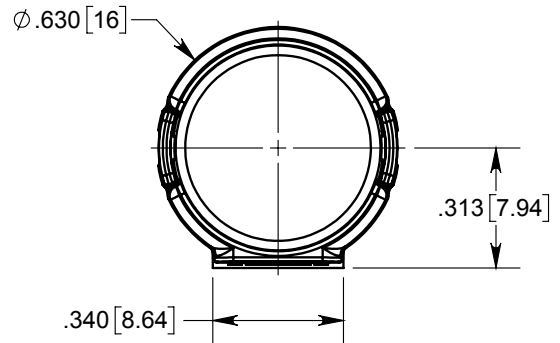


# S16 Micro Optical Shaft Encoder



TORQUE	SHAFT $\phi$	A	B	C
DEFAULT / NO TORQUE ADDED	1/8" (.125)	.1250 [3.175]	.730 [18.54]	.350 [8.89]
	6mm (.236)	.2362 [6]	.730 [18.54]	.350 [8.89]
	1/4" (.250)	.2500 [6.350]	.730 [18.54]	.375 [9.53]
BALL BEARING	1/8" (.125)	.1250 [3.175]	.740 [18.80]	.350 [8.89]
	6mm (.236)	.2362 [6]	.725 [18.42]	.375 [9.53]
	1/4" (.250)	.2500 [6.350]	.725 [18.42]	.375 [9.53]

\* DIMENSION C IS LENGTH OF SHAFT  $\phi A$

