

# A2K Assembly Instructions

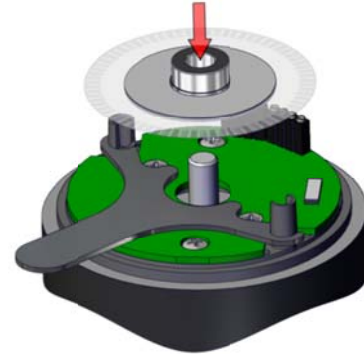
## Step 1:

Slip the centering tool over the shaft and apply downward force so it engages the circuit board center hole. Secure the base to the motor using two screws. Remove the centering tool.



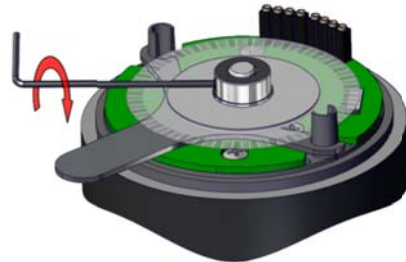
## Step 2:

Place the spacer tool on the circuit board as shown so that the hooks clip around the bosses on the base. Position the hubdisk assembly above the shaft as shown. Slide it down over the shaft and press down until the hub and spacer tool bottom out against the circuit board.



## Step 3:

While holding the hub disk against the spacer tool, tighten the set screw with the hex wrench provided. Remove the spacer tool.



## Step 4:

Orient the cover as shown. Ensure that the circuit board interconnects are aligned before pressing the cover onto the base. Connector pins can be damaged if not lined up properly. Secure the cover with the two supplied #4-40 x 1" pan head screws.

