



The PS-24 is no longer available for purchase.

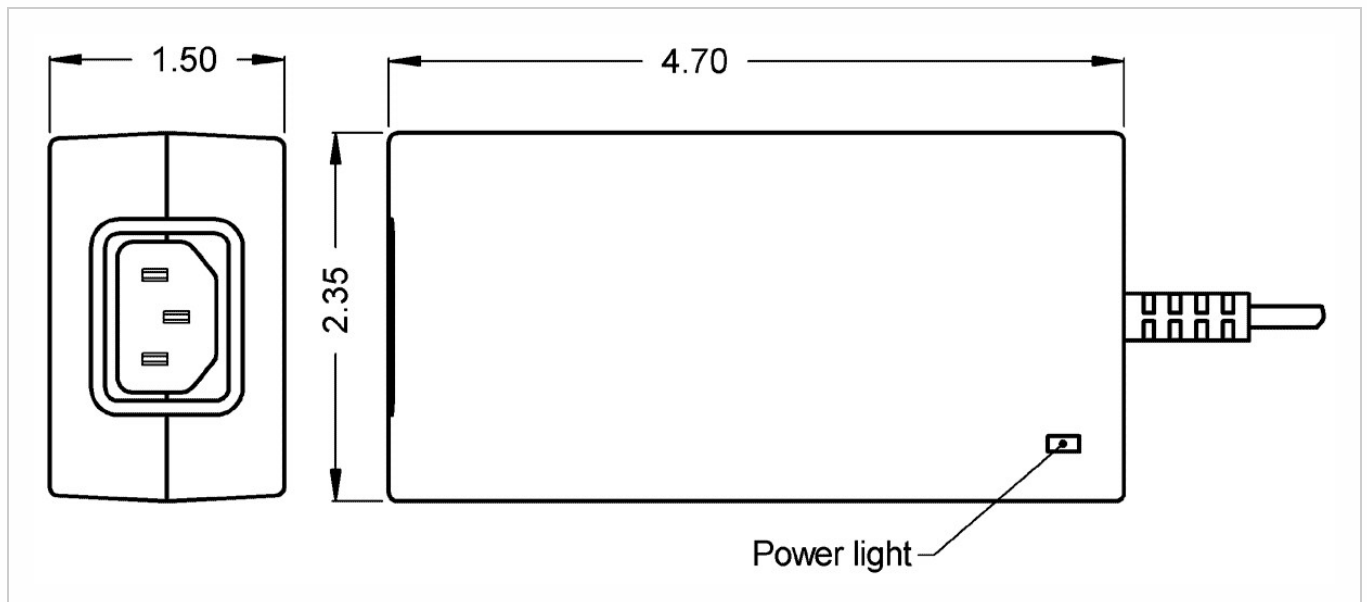
PS-24 Product Description

The PS-24 is a 60 W regulated switching power supply that outputs 24 VDC @ 2.5 A. The power supply covers voltage inputs ranging from 85 VAC to 240 VAC. Typical efficiency is 78%, and the output is short circuit protected. When an output short is present, the PS-24 will switch on every 250 mS for 10 mS. A power-on LED is provided.

The output connector is a 2.1 mm circular plug attached to a 24-inch long cable. A 6 foot long 120 VAC power cord comes standard with the PS-24.

Please note: The third conductor, earth ground, on the input power cord is connected to DC common. You must use an isolation adapter on the AC receptacle if it is desired to isolate DC output common from earth ground.

Mechanical Drawings



Specifications



SPECIFICATIONS

Input Voltage	85 VAC to 240 VAC
Output Voltage	24 VDC \pm 5%
Input Frequency	47 Hz to 63 Hz
Ripple & Noise	\pm 200 mV maximum
Operating Temperature	0 C to 40 C
Storage Temperature	-20 C to 60 C
Protections	Over voltage, current and short circuit
Certification	UL, CSA, TUV approved, CE mark
EMI	Meets FCC class "B"
Size (inches)	1.50 x 2.36 x 4.70 (HWL)

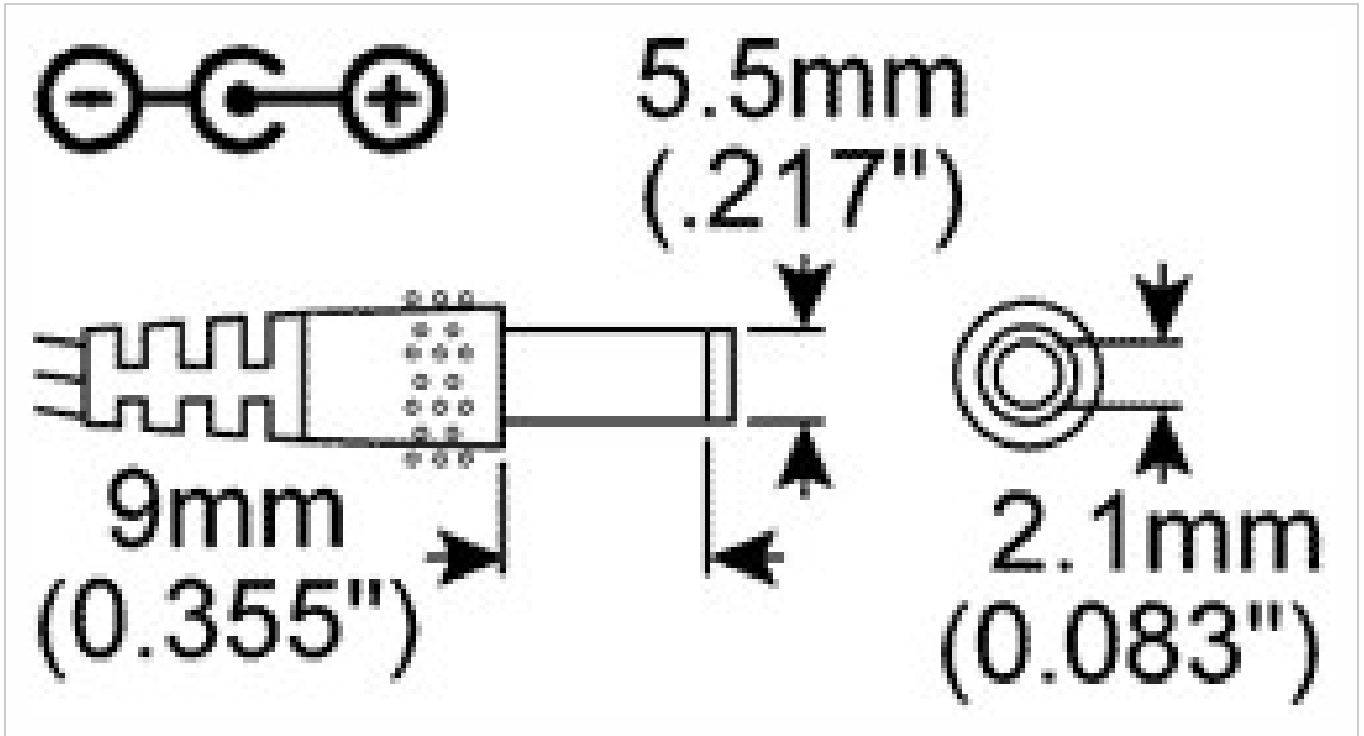


OUTPUT VOLTAGE VS. LOAD





CONNECTOR



Notes

- US Digital® warrants its products against defects in materials and workmanship for two years. See complete warranty (<https://www.usdigital.com/company/warranty>) for details.

Configuration Options

PS-24

PLEASE NOTE: This chart is for informational use only. Certain product configuration combinations are not available. Visit the PS-24 product page (<https://www.usdigital.com/products/PS-24>) for pricing and additional information.