



EDAC2 Features

- Converts any incremental encoder into an analog position sensor
- 12-bit analog resolution
- 0 to 4.095V or 0 to 10V unipolar output voltage operation
- ± 4.095 or ± 10 V bipolar output voltage operation
- Reset can be configured to zero or mid-range voltage
- Simple DIP switch defined programming
- DIN rail mounting is available
- TTL logic level output bit to indicate direction of rotation or linear movement



The EDAC2 is no longer available for purchase.

EDAC2 Product Description

The EDAC2 converts the A and B quadrature output of an incremental encoder into a proportional voltage proportional to the encoder position. The output from the encoder causes an internal 12-bit counter to count up or down. The output of the counter is fed into a 12-bit DAC that converts the 12-bit position count value to an analog voltage.

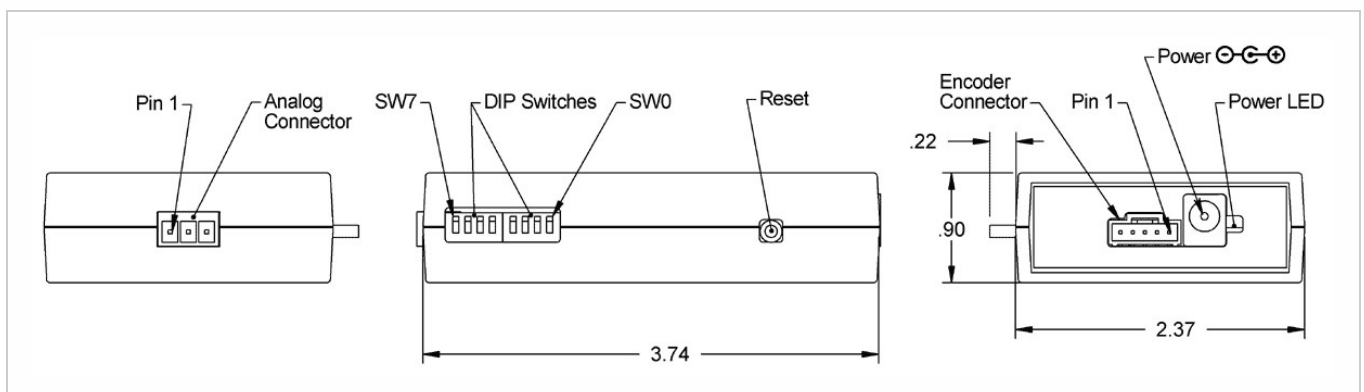
Eight DIP switches are provided to select various options. The user can choose unipolar output mode with 0 to 4.095V or 0 to 10V output, bipolar output mode with ± 4.095 V or ± 10 V output, 1X or 4X counting, reset index, reverse rotation, midrange reset, and range limit counting. Full-scale output in 10V mode is actually 9.962V.

The EDAC2 has an internal counter that you may reset in three ways: by pressing the reset button, power cycling the unit, or enabling the reset on the encoder index. The reset may be configured to either mid-range or zero volts.

The EDAC2 also provides a TTL logic level output bit, which changes the state to indicate the analog voltage output's polarity.

Power is provided by an external power supply that provides +5VDC to an external encoder through the encoder input connector. A three-position screw terminal block provides the analog output connections and logic level direction bit output.

Mechanical Drawings



Specifications



ELECTRICAL

Unless otherwise specified, all accuracy measurements assume operation within temperature range 0C to 70C.

PARAMETER	MIN.	TYP.	MAX.	UNITS	NOTES
Voltage Out to Encoder	4.8	5.0	5.2	Volts	Under 100mA load
Input Supply Voltage	12	-	16	Volts	
Supply Current	-	110	-	mA	12V input, no encoder load
	-	255	-	mA	12V input, 250mA encoder load
Full Scale Output Error - Analog Output	-0.5	0.25	0.5	% full scale	0 - 4.095V output range
	-1.5	±0.25	1.5	% full scale	0 - 10V output range
Integral Non-linearity Error - Analog Output	-3.0	±1.0	3.0	mV	0 - 4.095V output range
	-8.0	±3.0	8.0	mV	0 - 10V output range
Offset Error - Analog Output	-6.0	±1.0	6.0	mV	0 - 4.095V output range
	-6.0	±1.0	6.0	mV	0 - 10V output range
Quadrature Encoder Inputs*					
Logic Low	0	0.4	0.8	Volts	
Logic High	2.0	5.0	5.75	Volts	
Polarity Bit Output					
Logic Low	-	-	0.4	Volts	8mA (sinking current)
Logic High	2.4	-	-	Volts	-4mA (sourcing current)
Analog Output Load Impedance	2000	-	-	Ohms	

* Diode clamped to ground and +5V, 5kΩ pullup to +5V.

ABSOLUTE MAXIMUM RATINGS

PARAMETER	MIN.	TYP.	MAX.	UNITS
Operating Temperature	0	-	70	C
Encoder Current*	0	-	250	mA
Quadrature Input Frequency	0	-	400	kHz
Analog Output Update Frequency	0	-	400	kHz

* +5VDC power for external encoder.



DIP SWITCHES

The **EDAC2** is programmed by eight DIP switches in either an up or down position.

SWITCH	NAME	UP ↑	DOWN ↓	EXPLANATION
0	Not Used	-	-	-
1	Reset	Mid-range	Zero	Reset voltage level
2	Range Limit	Range Limit	Rollover	Sets counting mode
3	Count Multiplier	1X	4X	Enables quadrature counting
4	Analog Voltage	4.095V	10V	Sets full scale output voltage
5	Reverse	A / B	B / A	Swaps increasing count direction
6	Index	Reset	No Reset	Ignores the index or resets on index
7	Output Mode	Unipolar	Bipolar	0 to +VDC or ±VDC output

PIN-OUTS

ENCODER INPUT:

PIN	DESCRIPTION
1	Ground
2	Index
3	A channel
4	+5VDC power
5	B channel

ANALOG OUTPUT:

PIN	DESCRIPTION
1	Ground
2	+VDC output
3	Polarity

POWER INPUT:

PIN	DESCRIPTION
Center	13 to 16VDC
Outer Barrel	Ground



INCLUDED ACCESSORIES

PS-12 Power supply (<https://www.usdigital.com/products/power-supplies/standard/ps-12/>)

Notes

- Cables and connectors are not included and must be ordered separately.
- US Digital® warrants its products against defects in materials and workmanship for two years. See complete warranty (<https://www.usdigital.com/company/warranty>) for details.

Configuration Options

EDAC2

PLEASE NOTE: This chart is for informational use only. Certain product configuration combinations are not available. Visit the EDAC2 product page (<https://www.usdigital.com/products/EDAC2>) for pricing and additional information.