

EADAPT Features

- Single-ended or differential encoder inputs
- Encoder rotation sense reversal
- Index gating and polarity adjustments
- DIP switch programming
- Single 5V supply



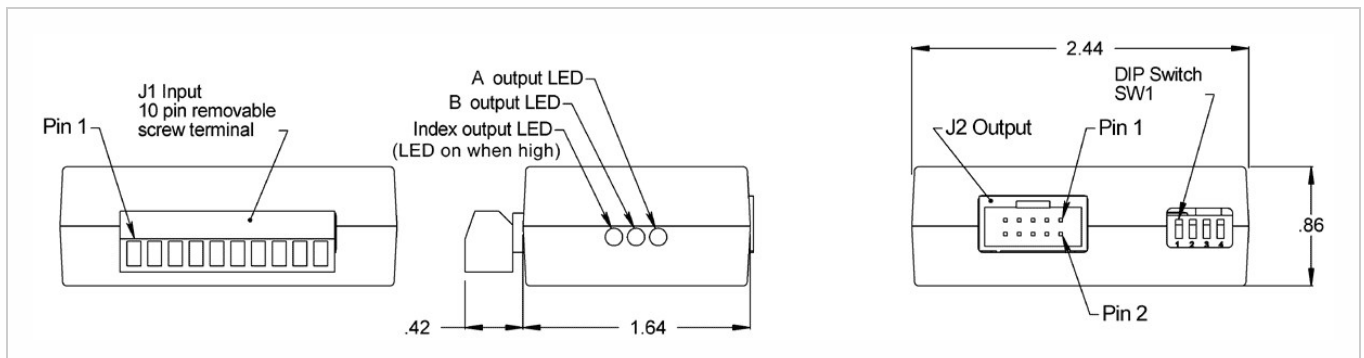
The EADAPT is no longer available for purchase.

EADAPT Product Description

The EADAPT is an inline encoder signal converter that allows the user to invert or not invert any A, B, and Index encoder signals. The EADAPT can use this to invert the encoder's rotation sense. The input quadrature signals can be single-ended or differential. Single-ended inputs can have amplitudes up to 30V. In addition, the index can be optionally gated by both the A/B channels going low to get an index pulse that is at most one quadrature statewide. This feature is useful when using encoders with a wide index pulse that spans multiple quadrature states.

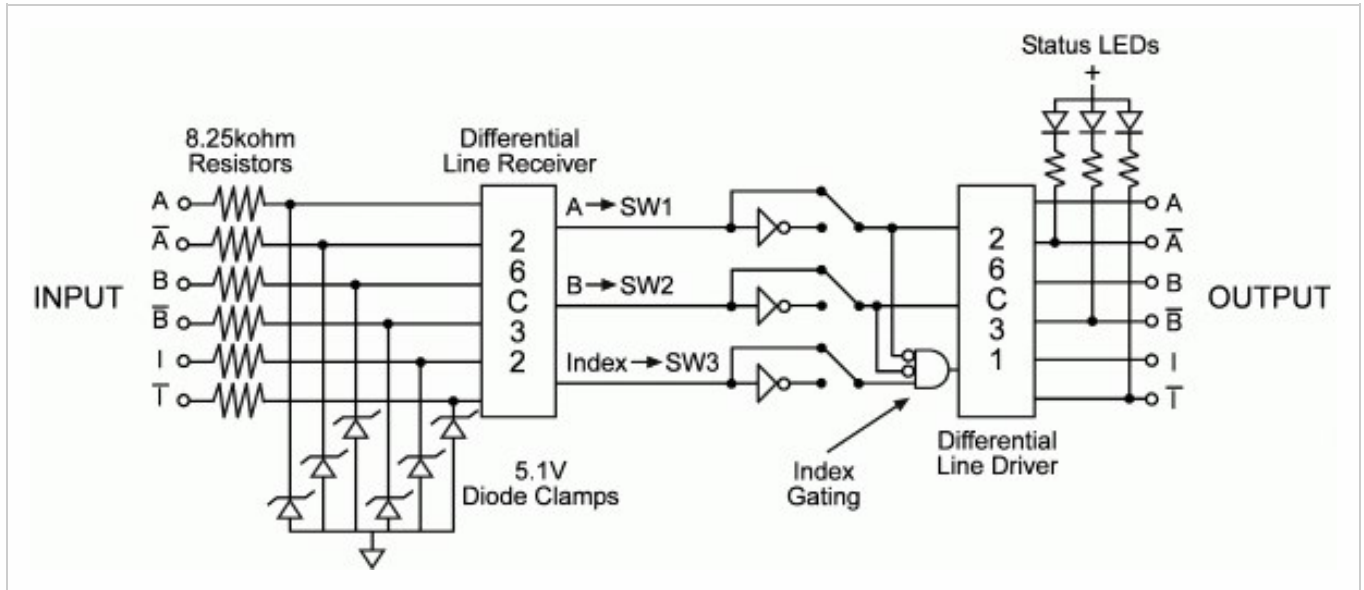
Encoder input signals enter through a 10-position pluggable screw terminal block. Single-ended encoders should be placed close (less than 2 ft. preferably) to the EADAPT on the input side to limit noise. The EADAPT output is made through a 10-pin latching connector compatible with US Digital encoder interface products. The +5VDC supply voltage for the EADAPT is supplied from the J2 output connector. Three LEDs indicate when the associated A, B, or Index outputs are high.

Mechanical Drawings



Specifications

BLOCK DIAGRAM



OPERATING CONDITIONS

PARAMETER	MIN.	TYP.	MAX.	UNITS
Supply Voltage	4.75	5.0	5.25	V
Supply Current (no output load, LEDs off)		30		mA
Storage Temperature	-40		100	C
Operating Temperature	0		70	C
Humidity (non-condensing)	0		95	%

- For typical input voltage thresholds and output voltage levels, refer to the 26C31 and 26C32 IC datasheets.



DIP SWITCH SETTINGS

SWITCH	DESCRIPTION
1	A channel polarity: switch down = non-invert switch up = invert
2	B channel polarity: switch down = non-invert switch up = invert
3	Index channel polarity: switch down = non-invert switch up = invert
4	no function



PIN-OUTS

J1 Input (Screw Terminal):

PIN	DESCRIPTION
1	+5V power (direct connection to J2 pins 7,8)
2	A+ channel
3	A- channel
4	B+ channel
5	B- channel
6	Index+
7	Index-
8	Ground
9	N/C
10	N/C

J2 Output (10-pin latching):

PIN	DESCRIPTION
1	Ground
2	Ground
3	Index-
4	Index+
5	A- channel
6	A+ channel
7	+5V power
8	+5V power
9	B- channel
10	B+ channel

Notes

- Cables and connectors are not included and must be ordered separately.
- US Digital® warrants its products against defects in materials and workmanship for two years. See complete warranty (<https://www.usdigital.com/company/warranty>) for details.



Configuration Options

EADAPT

PLEASE NOTE: This chart is for informational use only. Certain product configuration combinations are not available. Visit the EADAPT product page (<https://www.usdigital.com/products/EADAPT>) for pricing and additional information.